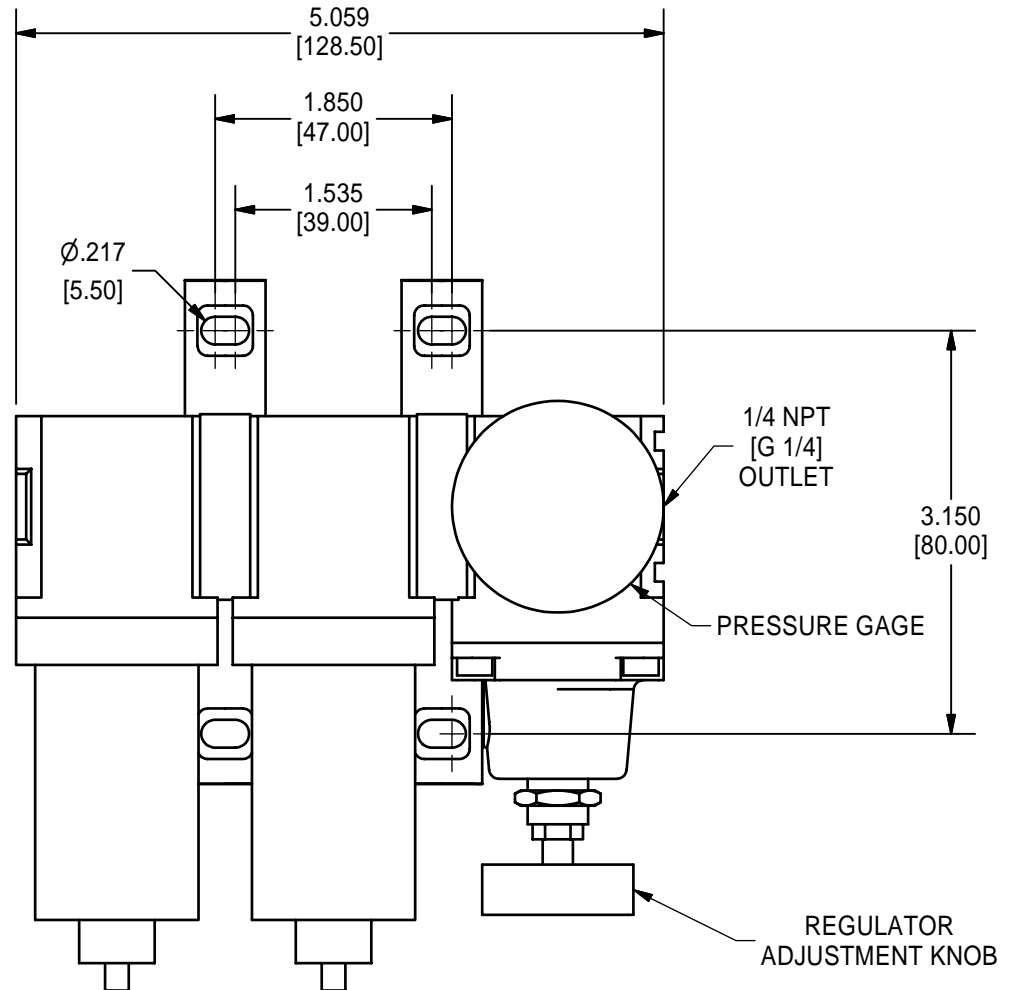
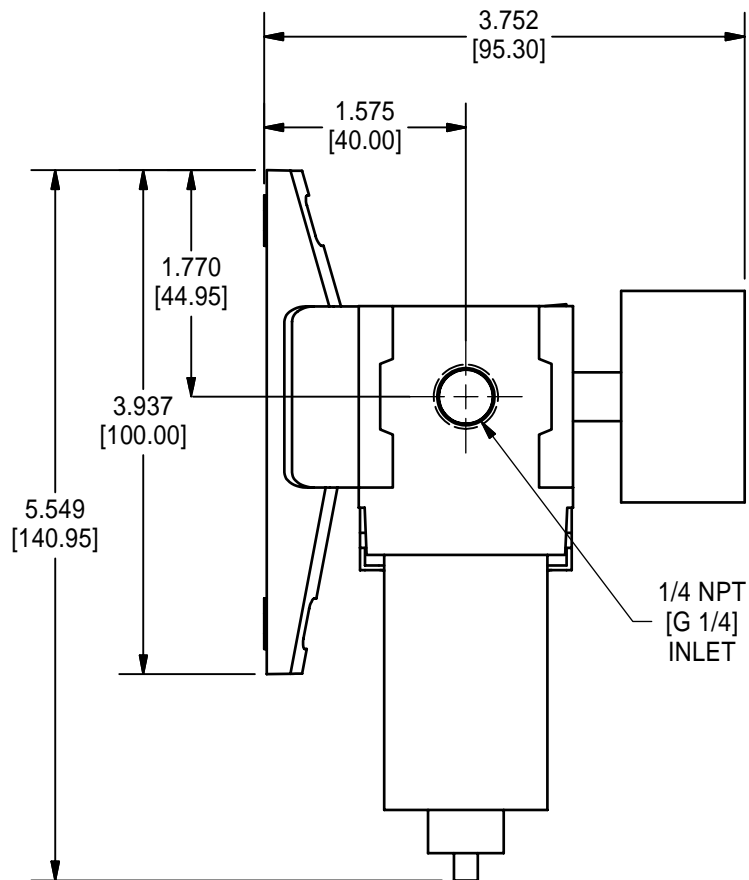


PFRN1-1 / PFRN1-2 (ENGLISH)

[PFRG1-1 / PFRG1-2] (METRIC)

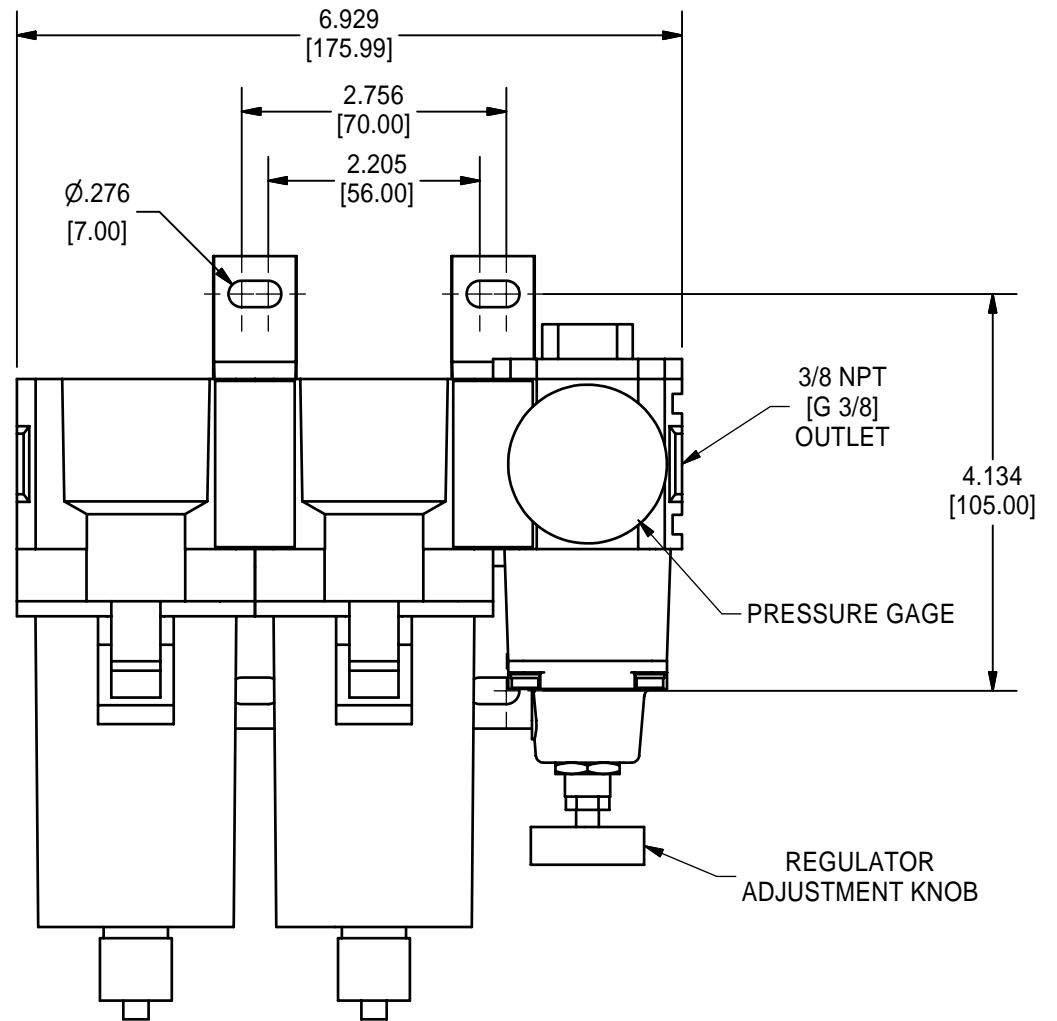
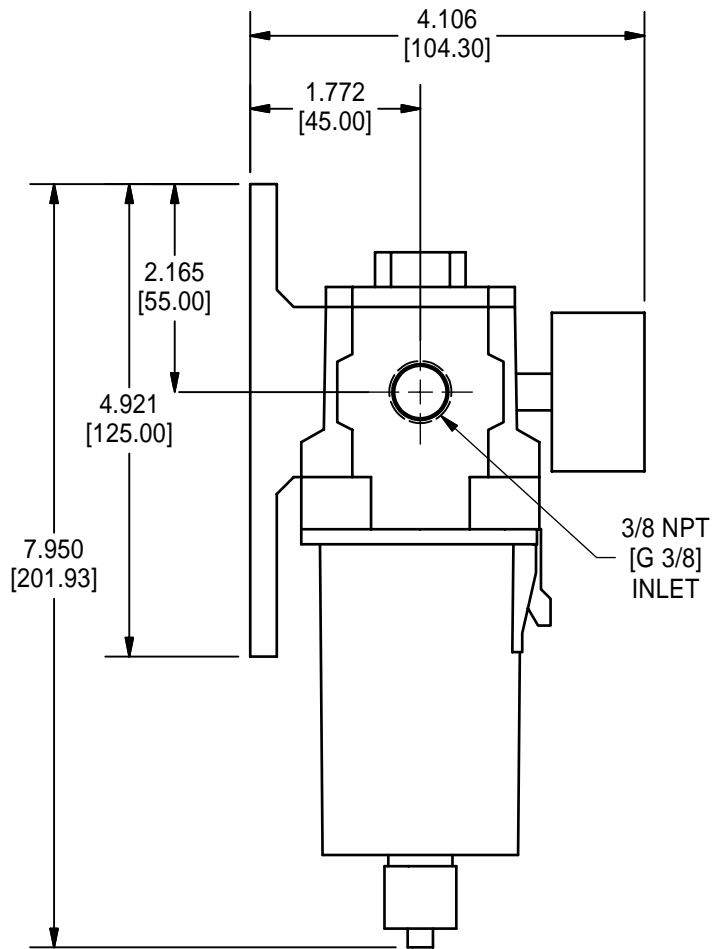


DESCRIPTION:
 COMPACT FILTER-REGULATOR SYSTEM
 WITH HIGH PRECISION REGULATOR

UNITS: IN / [MM]
 SCALE 1:1.5
 REV A

PFRN3-1 (ENGLISH)

[PFRG3-1] (METRIC)

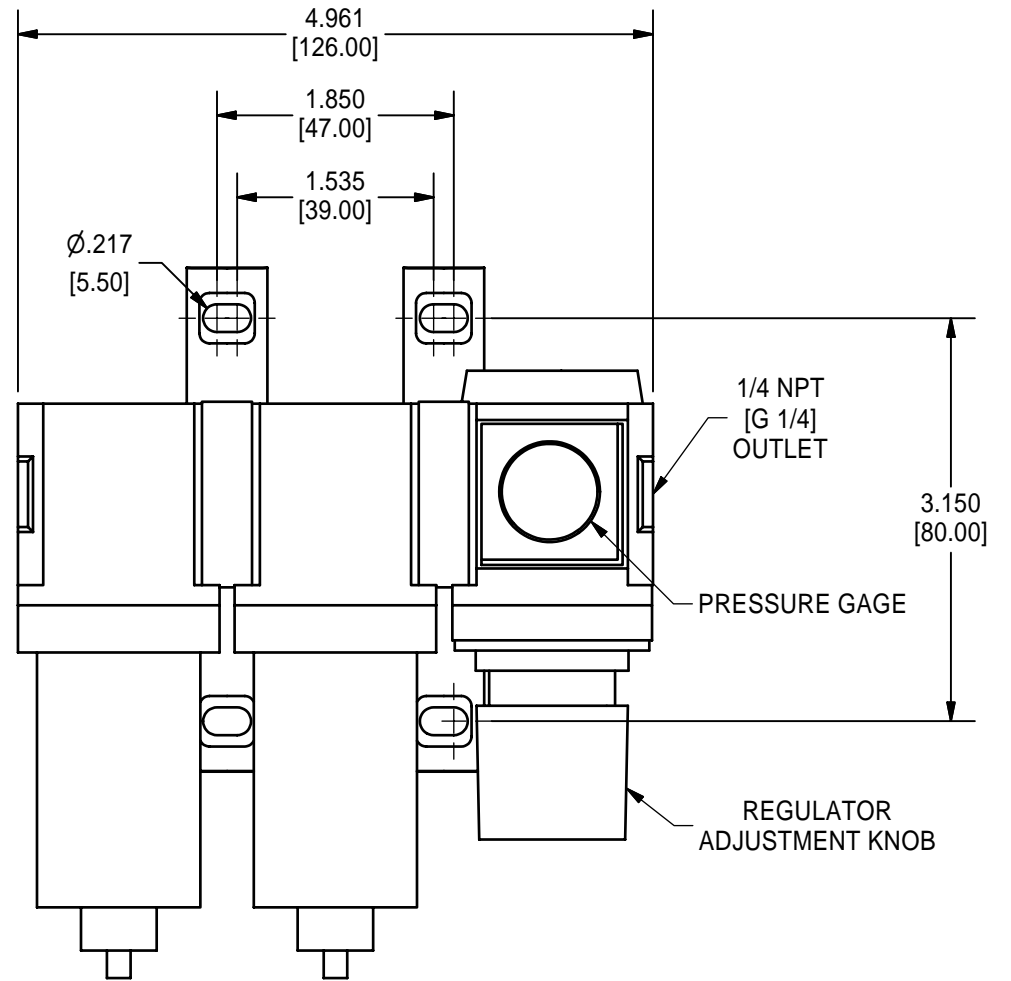
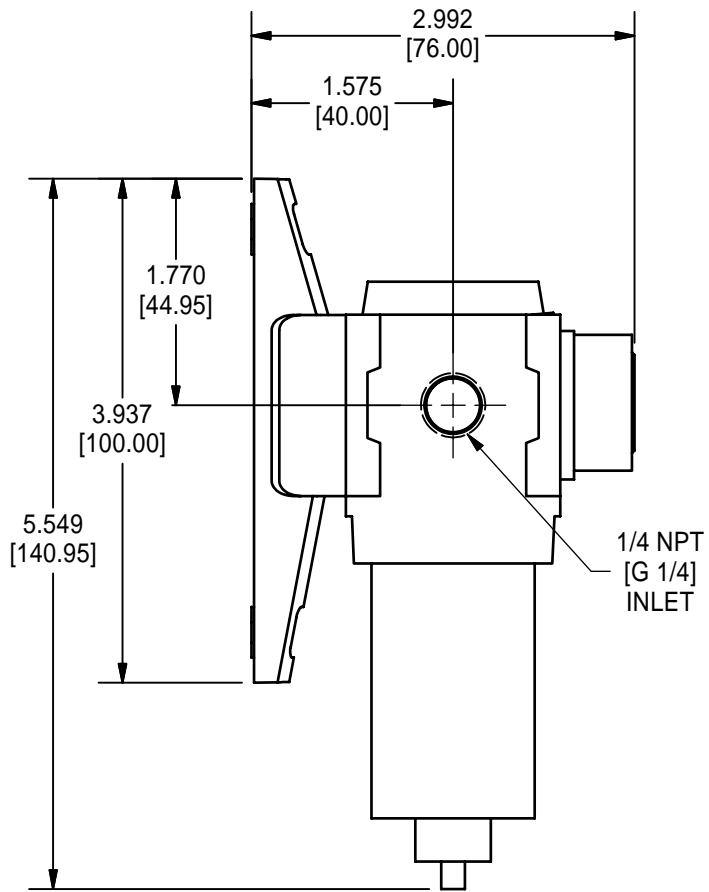


DESCRIPTION:
HIGH FLOW FILTER-REGULATOR SYSTEM
WITH PRECISION REGULATOR

UNITS: IN / [MM]
SCALE 1:2
REV A

SFRN1-1 (ENGLISH)

[SFRG1-1] (METRIC)

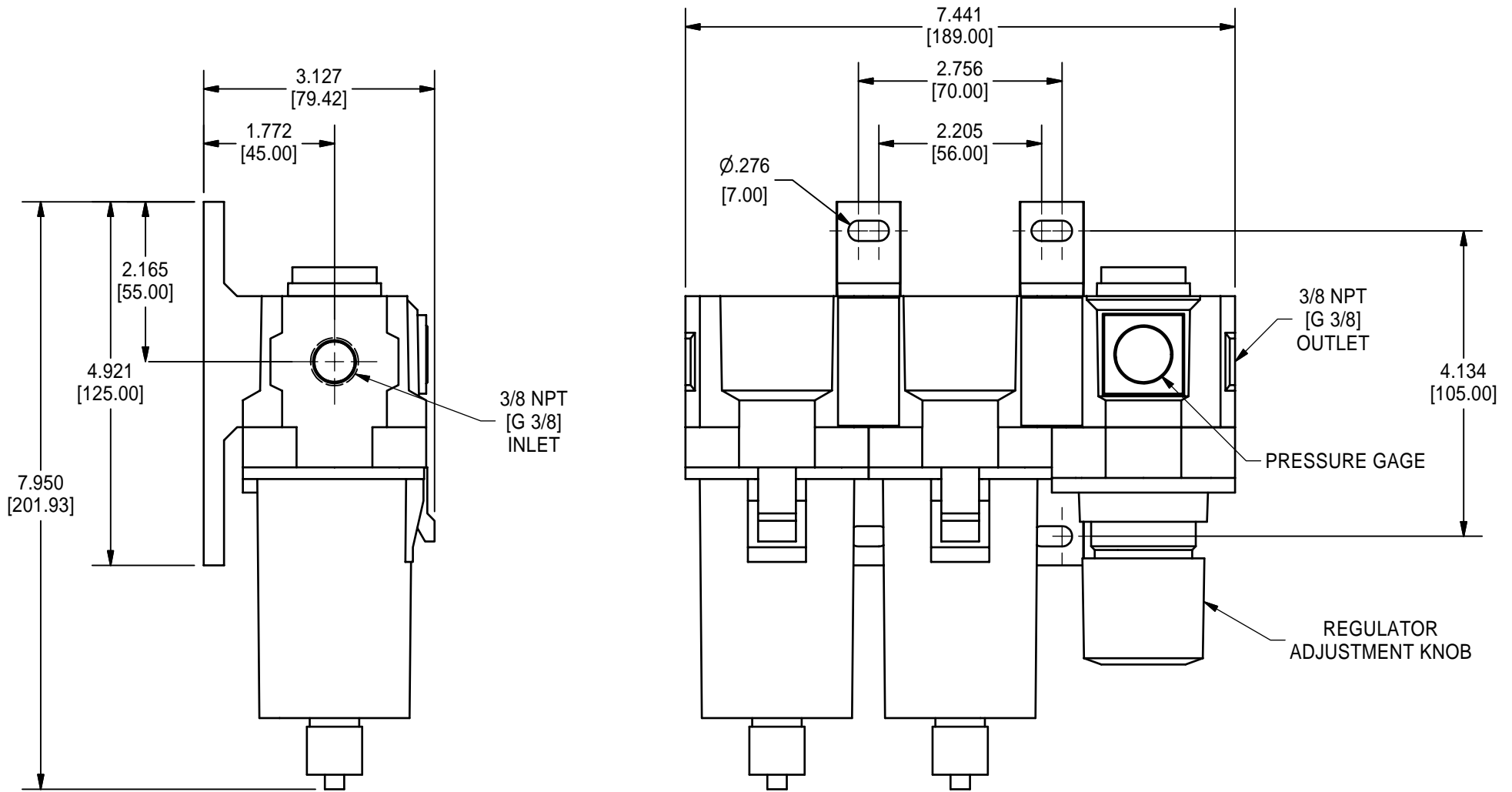


DESCRIPTION:
COMPACT FILTER-REGULATOR SYSTEM
WITH STANDARD REGULATOR

UNITS: IN / [MM]
SCALE 1:1.5
REV A

SFRN3-1 (ENGLISH)

[SFRG3-1] (METRIC)



DESCRIPTION:
HIGH FLOW FILTER-REGULATOR SYSTEM
WITH STANDARD REGULATOR

UNITS: IN / [MM]
SCALE 1:2
REV A