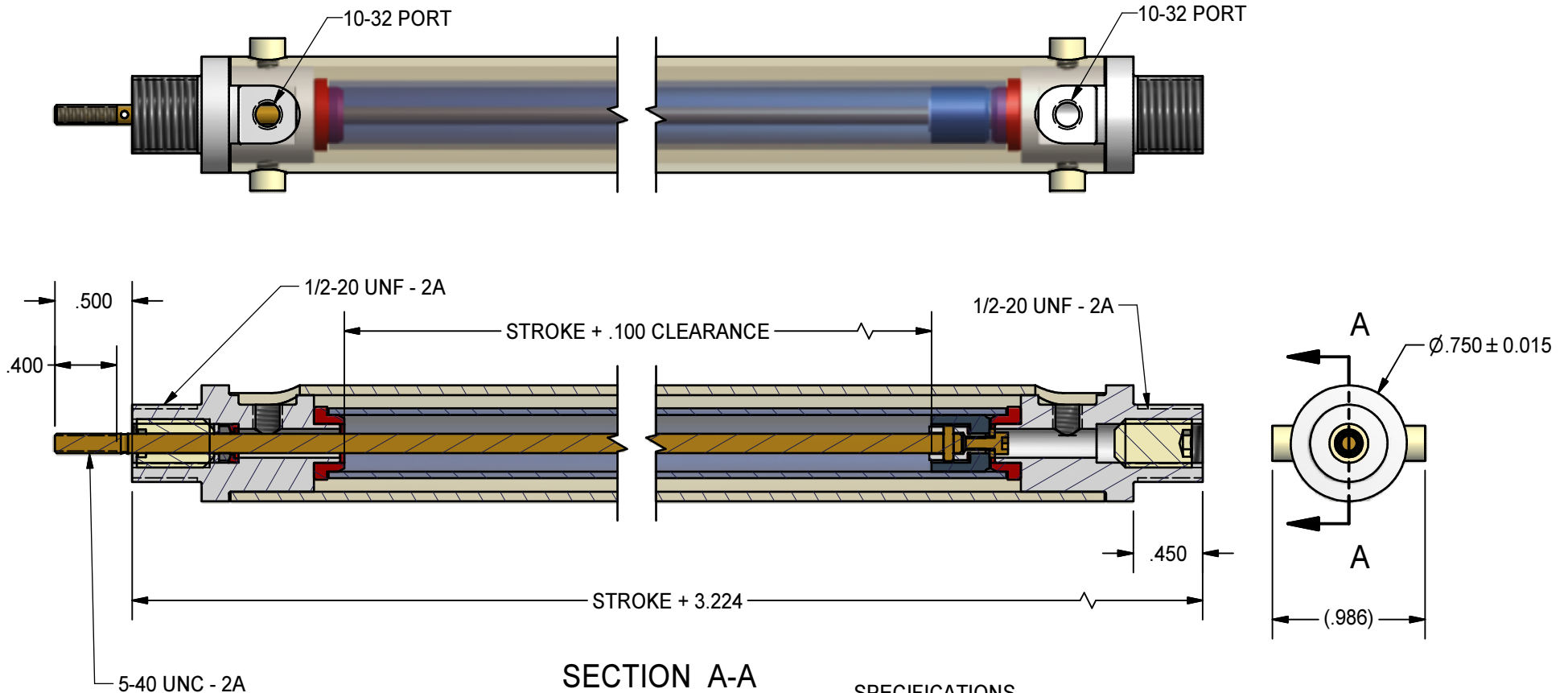


PROPRIETARY INFORMATION

THIS DRAWING AND SPECIFICATIONS ARE THE PROPERTY OF AIRPOT CORPORATION AND MAY NOT BE USED OR COPIED AS THE BASIS FOR MANUFACTURE OR SALE OF APPARATUS WITHOUT PERMISSION.



SPECIFICATIONS

1. Pressure Range: Full Vacuum to 50 psig.
2. Piston Area: .105 in² rear port (extend force), .093 in² front port (retract force)

MATERIALS LIST

BRASS
BOROSILICATE GLASS
CARBON GRAPHITE
SILICONE RUBBER
PLASTIC (VARIOUS)

PART NUMBER	STROKE
AC 13270-4	2 IN
AC 13270-1	3 IN
AC 13270-2	4 IN
AC 13270-3	6 IN
AC 13270-6	8 IN
AC 13270-5	12 IN

Airpot [®]		35 LOIS ST NORWALK CT 06851 US	203-846-2021 www.airpot.com
DRAWING NAME AIRPEL, MODEL E9 NON-MAGNETIC			DATE 24-MAR-08
SCALE 1:1	INITIALS TL	DRAWING NUMBER AC 13270-X-CUS	REV C